

**Point
Force Transducer
Model 835**



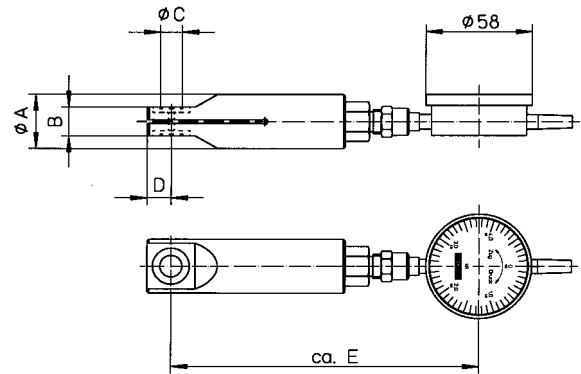
testing equipment for quality management



***Special
design***

Purpose and application

The Series 835 force measuring instruments are intended for measuring static pressure and tensile forces. They are robust, mechanical instruments which are suited for applications where it is sufficient to determine temporary forces using simple measuring techniques with relatively good accuracy. Especially the narrow construction of the force application points makes them suitable for versatile use in places where other measuring instruments cannot be used due to their greater overall dimensions. As a result of its special design the force transducer is ideally suited e.g. for measuring and controlling the electrode pressures on spot welding machines.



Design und function

The pressure or tensile forces acting on the application points effect a deformation of the slot. This causes a precision-ground measuring needle with a conical sensor to move in a transverse direction activating a dial gauge indicator. Pressure forces are displayed clockwise, tensile forces are shown counter-clockwise.

Technical data

Measuring uncertainty:

± 2 %, related to the end value.

Display device:

Precision dial gauge, mountable facing different directions. Dial plate can be turned to enable zero offset.

Weight:

Model 835-005	approx. 0.45 kg net
Model 835-02	approx. 0.45 kg net
Model 835-05	approx. 0.8 kg net
Model 835-10	approx. 1.2 kg net

Measuring ranges and dimensions:

Model	Measuring range kN	ø A mm	B mm	ø C mm	D mm	E mm
835-005	0.5	22	15	M5	7	158
835-02	2	22	18	M5	7	158
835-05	5	30	16	12	13	165
835-10	10	38	20	12	13	165

Special versions:

Customized versions can be designed for special applications, e.g. for measuring the tensile force of through-running wires, or equipped with tension shackles for installing overhead lines at prescribed tensile strain rates, etc.

Finishes:

High-gloss chromium-plated

Accessories:

Pressure piece (chromium-plated)

Universal joints (galvanized) for tensile force

Order Information	
Order No.	Product description
0240.03.31	Point force transducer, Model 835 measuring range up to 500 N.
0240.04.31	Point force transducer, Model 835 measuring range up to 2 kN.
0240.01.31	Point force transducer, Model 835 measuring range up to 5 kN.
0240.02.31	Point force transducer, Model 835 measuring range up to 10 kN.

Subject to technical modification.
TBE 835 - V/2006